

PA SYSTEM / AMPLIFIERS / MONO

MAX-360Z

PA MULTI-ZONE AMPLIFIER



CLASS D



EMERG / CH1-5
PRIORITY INPUT



5 ZONES (100 V)



RADIO



USB

- ✓ Class D amplifier and SMPS switched power supply
- ✓ Speaker output zones with volume control
- ✓ Bluetooth/USB/FM player
- ✓ Emergency and mute input for connection to alarm and evacuation systems
- ✓ Attenuator priority 24 V and 3rd priority wire



+ Info:

<https://fonestar.com/MAX-360Z>

ESPECIALLY RECOMMENDED IN:



Factories



Sports facilities



Hospitality



All sectors

DESCRIPTION

PA amplifier with Bluetooth®/USB/FM player and speaker zone selector. Designed by Fonestar, unique, elegant and innovative. It uses a modern class D amplifier of high efficiency and reliability to offer the best sound performance. It can cover any space with sound for long working days. Output zones allow different volume levels to be selected, customising the sound level of each zone. Messages can be sent to zones with zone microphone. The best solution for PA and background music installations with a large number of 100 V line loudspeakers. It also has a low impedance output for transformerless loudspeakers. Features a built-in player as a source of background music. Microphone inputs allow for ring tone announcements. They have priority attenuating auxiliary inputs and activate the priority of attenuators (24V) and 3rd wire output with priority. Combo and euroblock connectors with secure, long-lasting and low-maintenance connection. The amplifier offers user-friendly operation. It can be used as a desktop or rack-mounted amplifier. Perfect for PA and piped music systems with 100 V or low impedance line loudspeakers. Commercial premises, educational centres, monuments, exhibitions, bars, restaurants, etc.



+ Info:

<https://fonestar.com/MAX-360Z>

TECHNICAL CHARACTERISTICS

FEATURES	<p>Class D PA amplifier and SMPS switching power supply. Bluetooth/USB/FM player. Zone microphone input ZONEMIC-6. Entrance for remote wall panel. Microphone input with mix, gain and priority level control. Ringtone generator (Chime). 3 auxiliary inputs. Emergency entry and mute for connection to alarm and evacuation systems. Priority of attenuators 24 V. Output of 3° thread (100 V) with priority for attenuators. Tone controls. Outputs of 100 V, 70 V and 4 Ohm. 5 outputs zones with volume control and Off.</p>
POWER	360 W RMS
RESPONSE	45-22,000 Hz (-10 dB)
DISTORTION	THD+N: <0.5% at 1 kHz
S/N RATIO	Mic >75 dB, Line >83 dB, Aux >81 dB
PROTECTIONS	Soft start, over-current, overload, over-temperature and short circuit
INPUTS	<p>ZONEMIC-6 zone microphone, RJ45, up to 200 m cable length Remote wall panel, RJ45, 2 x 250 mV RMS (-12 dBV) CH 1 balanced mic/line with 48V Phantom, Combo (XLR + 6.3 mm) and euroblock. Contact closure ring tones CH 2, 3, 4 and 5 mic/line balanced with 48V phantom. Combo (XLR + 6.3 mm) and euroblock. Contact closure ring tones Mic signal level: 5.6 mV RMS (-45 dBV) / 600 Ohm Line signal level: 250 mV RMS (-12 dBV) / 100k Ohm 3 x AUX. 2 x RCA connector. Signal level 316 mV RMS (-10 dBV) / 47.000 Ohm. 1 x emergency. Euroblock connector. Signal level: line 326 mV RMS (-10 dBV) or line 100 V Mute (Emergency Priority) by contact closure. Euroblock connector 1 Amp-in. RCA connector. Signal level 1.2 V RMS (+ 1.5 dBV)</p>
OUTPUTS	<p>1 REC. 2 x RCA connector. Signal level 316 mV RMS (-10 dBV). Pre-master. 1 Pre-out. RCA connector. Signal level 1.2 mV RMS (+1.5 dBV) 100 V, 70 V or 4 Ohm speaker output, or 5 zones of 100 V loudspeakers with 7-position volume selector and OFF (max. 240 W per zone). Euroblock connector 1 Attenuator priority, 24 V 100 mA and contact closure. Euroblock connector 1 3rd priority wire for attenuators (100 V)</p>
IMPEDANCE	4 Ohm, 100 V (27 Ohm) and 70 V (13 Ohm) line, euroblock



+ Info:

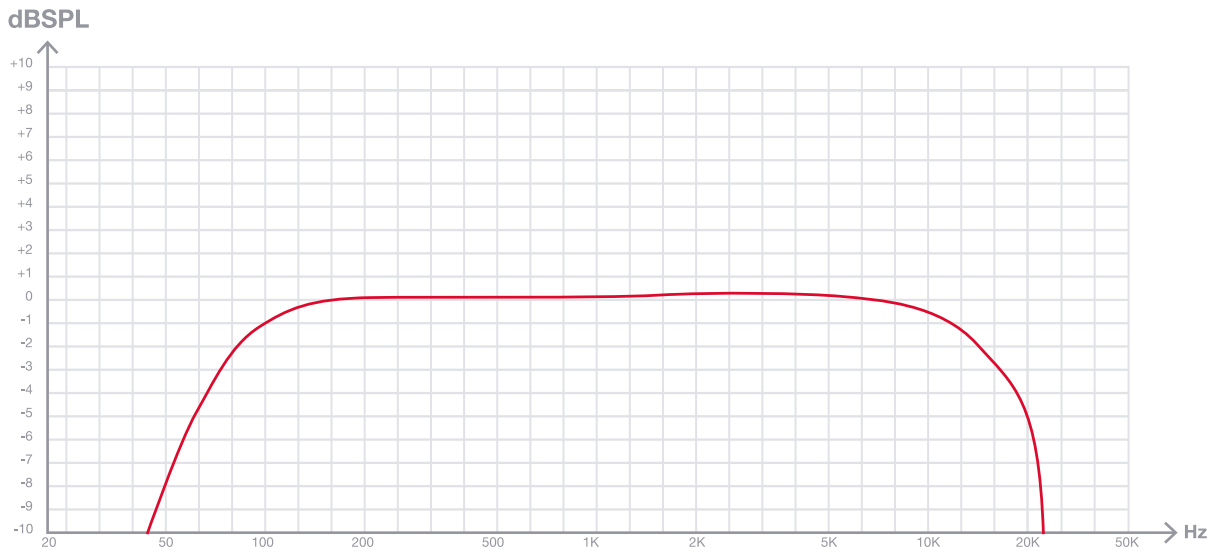
<https://fonestar.com/MAX-360Z>

FUNCTIONS	<p>Priority of entries (in order of attenuation):</p> <ul style="list-style-type: none"> · 100V Emergency Input with selectable signal level (VOX) · Mute by closing contacts · ZONEMIC-6 zone microphone · Remote wall panel · Microphone 1 with selectable signal level (VOX) · Channels 2 3 4 5 with selectable signal level shared CH 2-3-4-5 (VOX) · Auxiliary Inputs Player <p>Light ignition ring in volume control, AUX input indicators, zones and player. Indicator lights for power, signal, clip, priority activation and protection Induction cooling, fanless. Silent and maintenance free</p>
PLAYER	<p>Bluetooth/USB/FM player for ambient music playback 5.3 Bluetooth. Autoplay, starts playback automatically when switched on Memory of the last selected mode Playback mode memory (random, repeat).</p>
CONTROLS	<p>Microphone volume Master volume Auxiliary input selector or player Zones with power on and 7 volume positions Tone: bass and treble (± 10 dB 100 Hz and 10k Hz). Mic/line/phantom selector, ring tones and priority Ringing tone level (chime) Priority activation signal level (VOX)</p>
TEMPERATURE	<p>Operation: $-10^{\circ} \sim 40^{\circ}\text{C}$ Storage: $-20^{\circ} \sim 60^{\circ}\text{C}$</p>
MAXIMUM HUMIDITY	<p>90%</p>
POWER SUPPLY	<p>230/115 V AC 50-60Hz Power consumption: 600 W AC fuse 230 V 8 A / 115 V 16 A</p>
DIMENSIONS	<p>430 x 89 x 320 mm depth. 2 U 19" rack</p>
WEIGHT	<p>9.8 kg</p>
ACCESSORIES	<p>FM antenna Bluetooth antenna. Power cable Rack mounts</p>
OPTIONAL	<p>ZONEMIC-6: Zone microphone</p>



+ Info:
<https://fonestar.com/MAX-360Z>

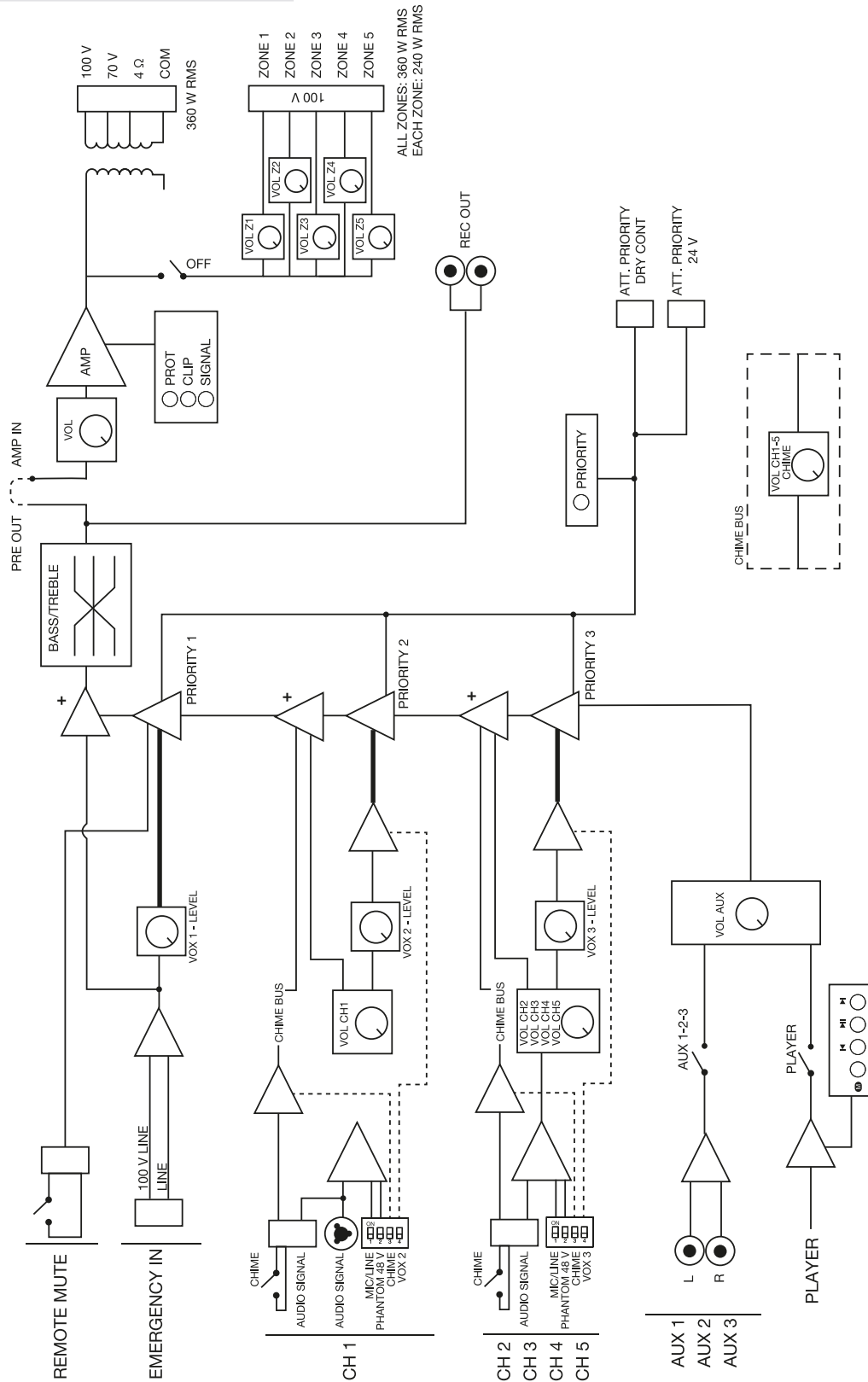
•  SPL vs Frequency



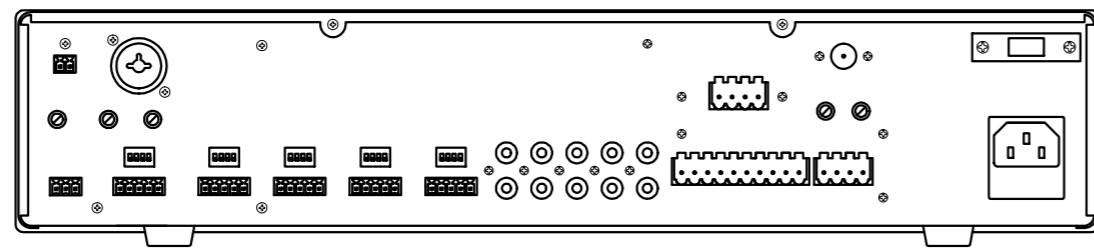
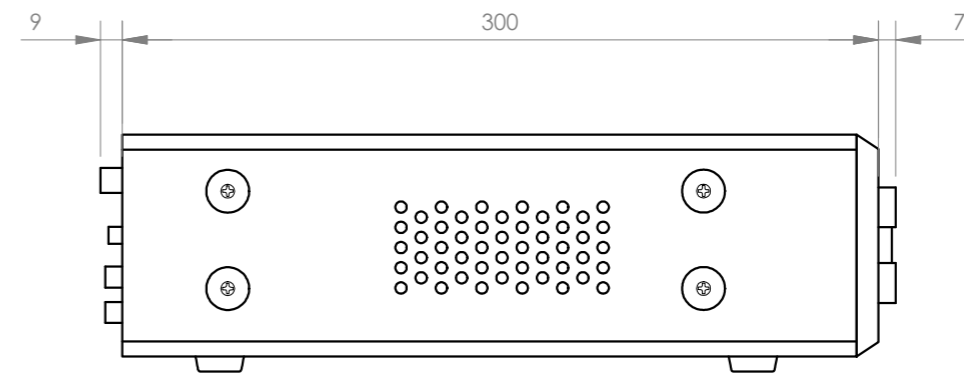
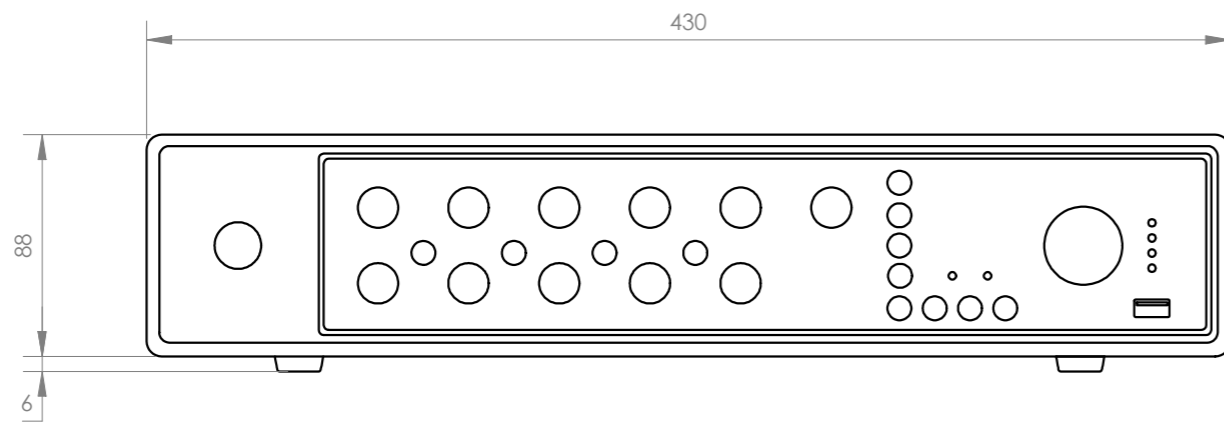
+ Info
<https://fonestar.com/MAX-360Z>



Block diagram



+ Info
<https://fonestar.com/MAX-360Z>



FONESTAR	Model	Description	Units	Scale
	MAX-360Z	PA MULTI-ZONE AMPLIFIER	mm	1:3