

LED GU10 - Dimmable

5W equivalent for 50W
Halogen products



DATA SHEET

Product information

This exceptional value LED GU10 - Dimmable range provides a high quality replacement solution for halogen 50W. Available in three colour temperatures with 35 degree beam angle.

Features & Benefits

- 50W equivalent
- Total Lumens: up to 450lm
- 25 000 hours solution (L70/B50)
- Three colour temperatures: 2700K, 3000K, 4000K
- A+ Energy Class
- 35° Beam Angle
- Warranty: 2 years with maximum 8000 burning hours according to Tungstram Operations Kft. Standard Warranty conditions

Application areas



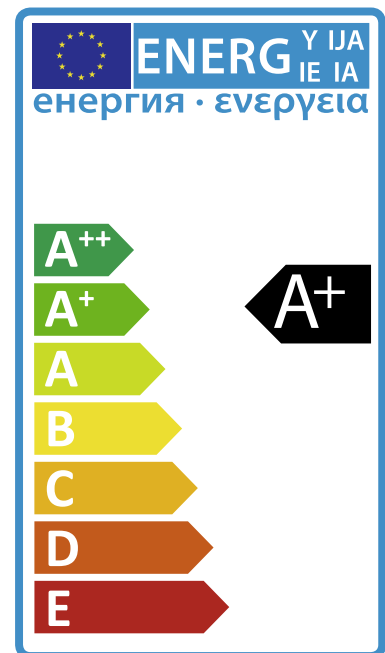
Home



Hospitality



Retail



IEC Standards

EN 55015:	Limits and methods of measurement of radio disturbance characteristics of electrical lighting
EN 61547:	Equipment for general lighting purposed EMC immunity requirements
EN 61000-3-2:	Limits for harmonic current emissions (equipment rated current <=16A)
EN 61000-3-3:	Limitation of voltage fluctuations and flicker in low voltage supply systems (equipment rated current <=16A)
EN 62560:	Self-ballasted LED lamp for general lighting services voltage 50~250V-safety specification
IEC 62471:	Photo biological safety of lamps and lamp systems
IEC/TR 62778:2014:	Assessment of blue light hazard to light sources and luminaries
EN 62493:2010:	Assessment of lighting equipment related to human exposure to electromagnetic fields



Specification summary

Product Code	Direct Shipment Product Code	Product Description	Nom./ Rated Power (W)	Repl Watt (W)	Nom./ Rated Beam Angle (°)	Nom./ Rated Lumens (lm)	Nom./ Rated Useful Lumens (lm)	Rated Peak Intensity (cd)	Nom./ Rated Life (L70/ B50 hours)	CCT (K)	WEC (kwh/ 1000h)	Pack Qty
93094493	93094494	LED ESmart GU10 5W(50)Dim 827 35°	5,0	50	35	400	360	680	25 000	2700	5,0	1/8
93104928	-	LED ESmart GU10 5W(50)Dim 827 35° BL	5,0	50	35	400	360	680	25 000	2700	5,0	1/8
93094495	93094496	LED ESmart GU10 5W(50)Dim 830 35°	5,0	50	35	440	380	700	25 000	3000	5,0	1/8
93094497	93094498	LED ESmart GU10 5W(50)Dim 840 35°	5,0	50	35	450	400	720	25 000	4000	5,0	1/8
-	93104936	LED ESmart GU10 5W(50)Dim 827 35° SATU	5,0	50	35	400	360	680	25 000	2700	5,0	1/8
-	93104937	LED ESmart GU10 5W(50)Dim 840 35° SATU	5,0	50	35	450	400	720	25 000	4000	5,0	1/8

Common attributes

- Nominal/ Rated Life (L70/B50 hours): 25 000 Hrs
- Cap/Base: GU10
- Nominal/Rated Beam Angle : 35°
- Input Voltage 220-240V
- Colour Rendering Index >80
- Start-up/Warm-up time: <1 s
- Switching Cycles: 100 000
- Power factor: 0.75
- Lumen Maintenance Factor: 0.7
- A+ Energy Efficiency
- Dimmable

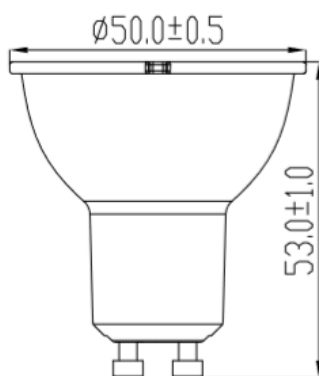
Recommended operation temperature

This max for L70/B50: 80°C

Tsh test point



Dimensions (mm)



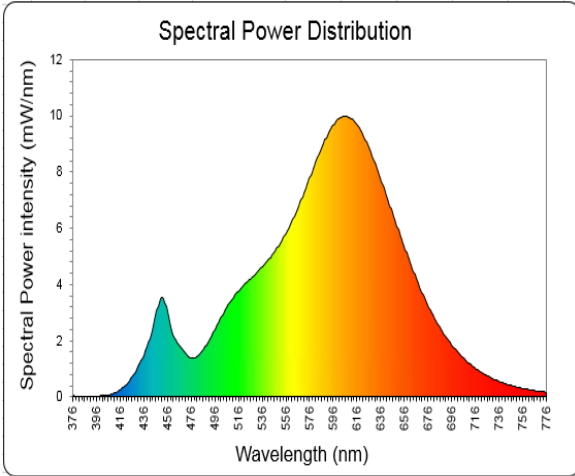
Packaging image



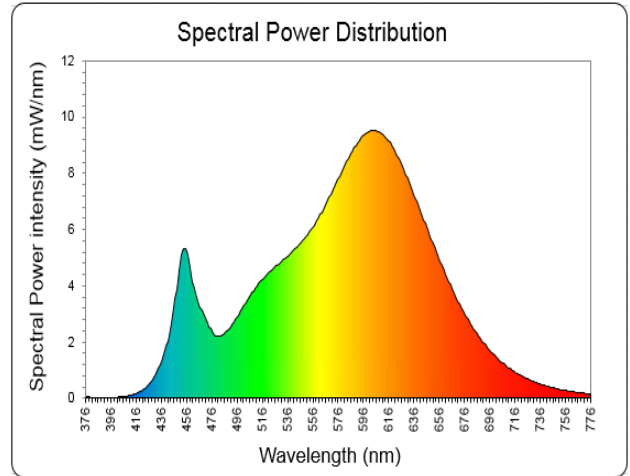
Operation and maintenance

- Store and use the lamps the same way as traditional lamps.
- Check your fixtures are properly wired and don't deliver voltage spike to lamps causing overheating/failure.
- Ambient temperature range -20° C to 40°C
- Lamps should be kept free from contamination.
- Good condition of the lamp-holder contacts is important to ensure proper operation of lamp.
- Ensure lamp is cool before removing.
- Switch off mains supply before installing/removing lamps.
- Not for use in totally enclosed recessed fixtures.
- These LED GU10 - Dimmable lamps are dimmable on most leading and trailing edge dimmers, for more information please check our website www.tungsr.com/dimming-led

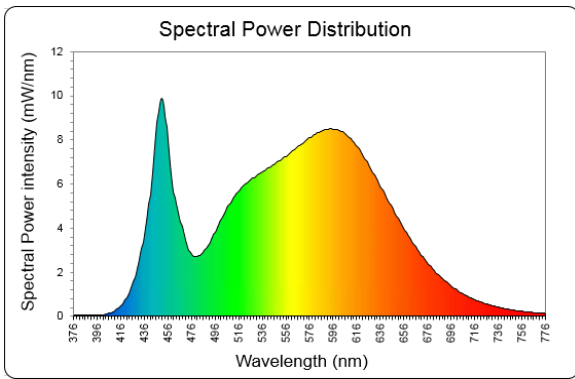
Spectral distributions



2700K



3000K



4000K

All values 180-400nm are 0